

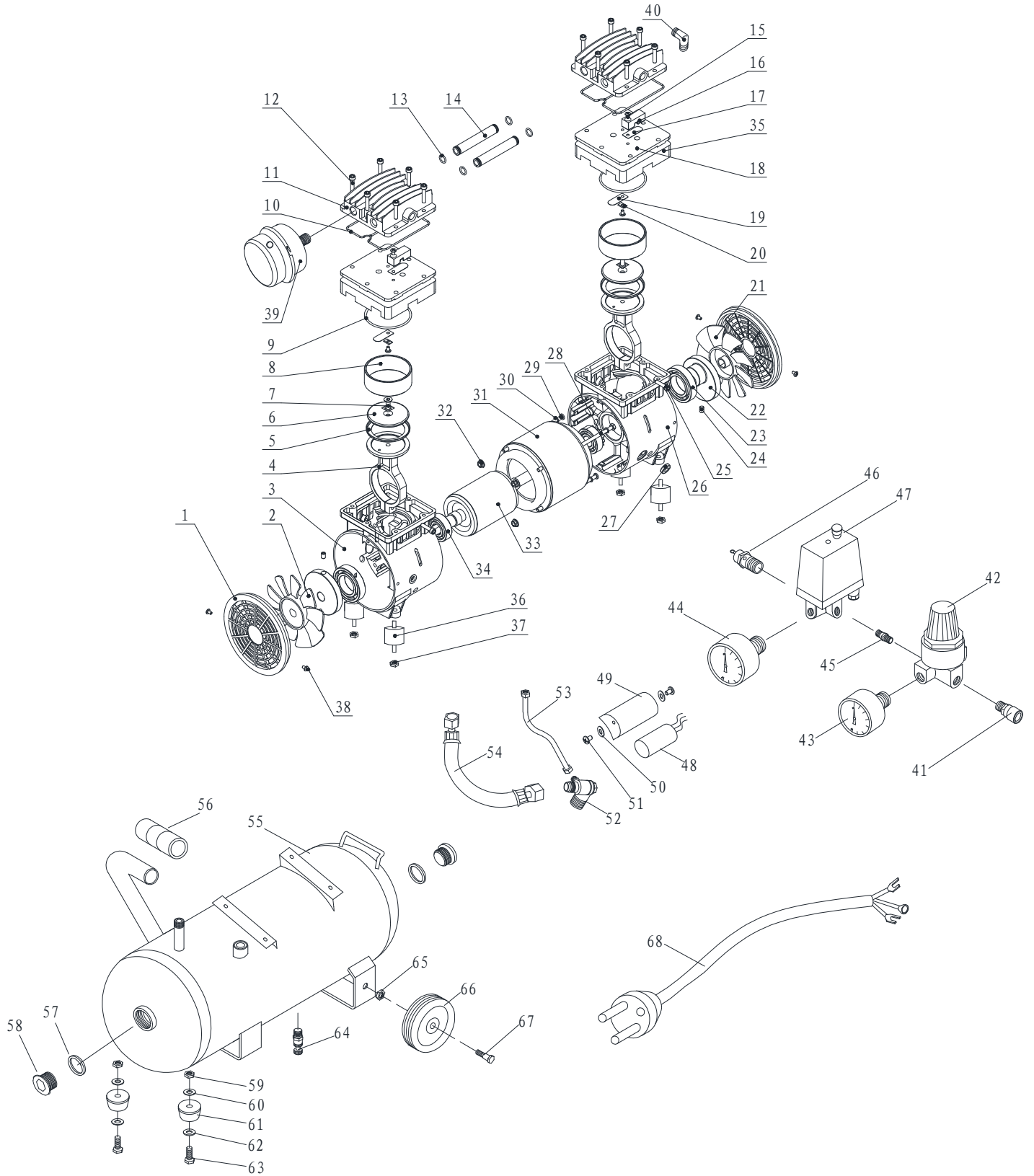


REM POWER[®]
Rheinland Elektro Maschinen

EL 150/8/24
SERVICE KITs

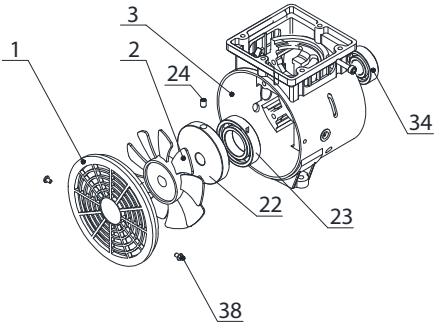


EL 150/8/24 SPARE PARTS OVER VIEW

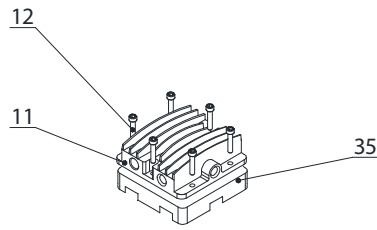


EL 150/8/24 SPARE PARTS KITs

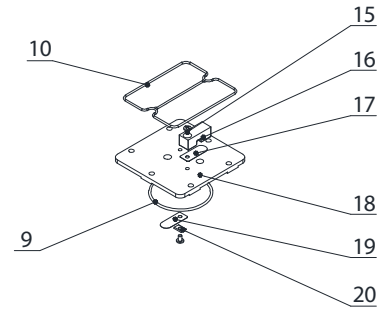
KIT 1



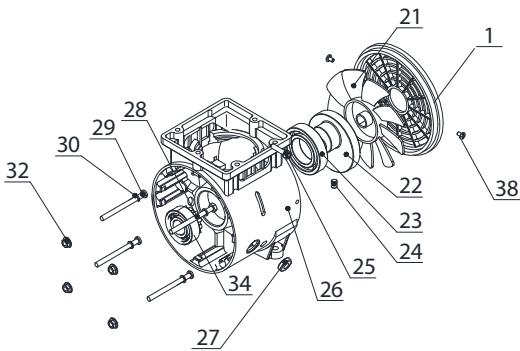
KIT 3



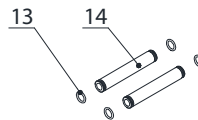
KIT 4



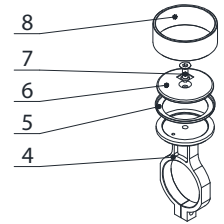
KIT 2



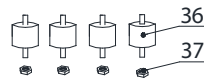
KIT 6



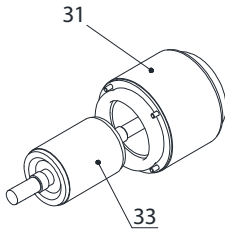
KIT 5



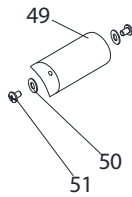
KIT 7



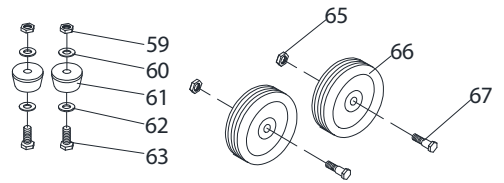
KIT 8



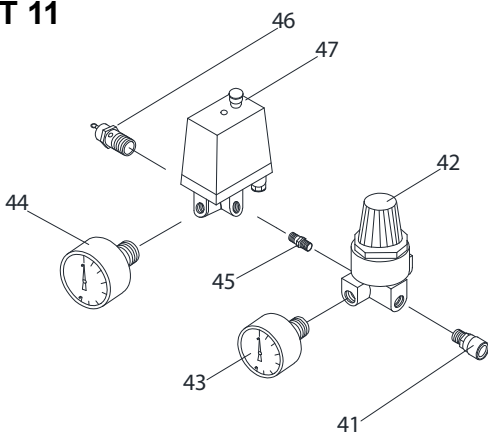
KIT 9



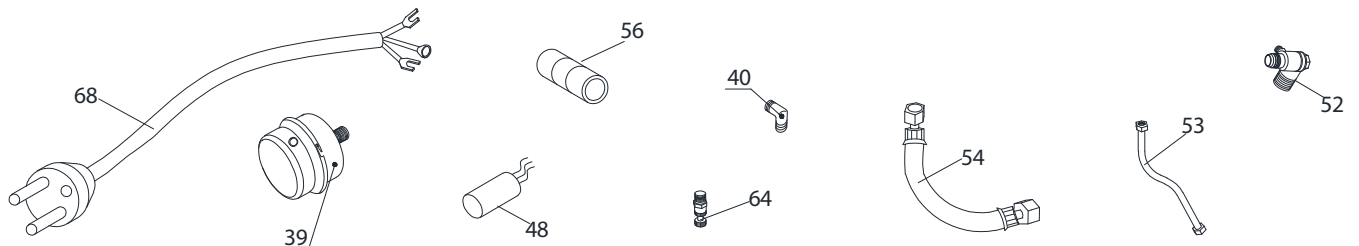
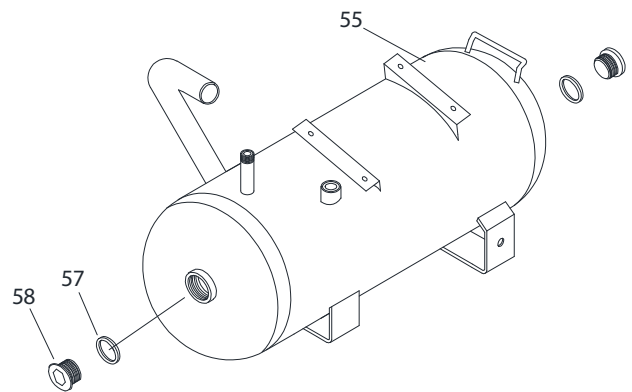
KIT 10



KIT 11



KIT 12



NO.	CODE	DESCRIPTION
	880400000543	KIT 1
1		COVERY
2		LEFT FAN
3		LEFT CRANKCASE
22		SHAFT SEAL
23		BEARING 6006-2Z
24		BOLT
34		BEARING 6203-2Z
38		SELF TAPPING
	880400000544	KIT 2
1		COVERY
21		RIGHT FAN
22		SHAFT SEAL
23		BEARING 6006-2Z
24		BOLT
25		BOLT
26		RIGHT CRANKCASE
27		PROTECTION RING
28		BOLT
29		BOLT
30		SPRING
32		NUT
34		BEARING 6203-2Z
38		SELF TAPPING
	880400000545	KIT 3
11		CYLINDER HEAD
12		BOLT
35		ABJUSTING WASHER
	880400000546	KIT 4
9		OBTURATING RING
10		OBTURATING RING
15		BOLT
16		LIMITED BLOCK
17		VALVE
18		VALVE PLATE
19		VALVE
20		washer
	880400000547	KIT 5
4		CONNECTING ROD
5		PISTON CUP
6		BINDER PLATE
7		BOLT
8		CYLINDER
	880400000548	KIT 6
13		OBTURATING RING
14		CONNECTING PIPE
	880400000528	KIT 7
36		VIBRATIONCOLNMN
37		SPRING

NO.	CODE	DESCRIPTION
	8804000000549	KIT 8
31		STATOR
33		ROTATOR
	8804000000530	KIT 9
49		CAPACITOR COVER
50		WASHER
51		BOLT
	8804000000550	KIT 10
59		NUT
60		WASHER
61		CUSHION FOOT
62		WASHER
63		BOLT
65		NUT
66		WHEEL
67		BOLT
	8804000000532	KIT 11
41		DEFLATION VALVE
42		REGULATOR
43		40GAUGE
44		50GAUGE
45		CONNECT
46		SAFETY VALVE
47		PRESSURE SWITCH
	8804000000551	KIT 12
55		TANK
57		CHOKE PLUG
58		HANDLE SLEEVE
39	8804000000533	AIR FILTER
40	8804000000534	ELBOW
48	8804000000552	capacitor
52	8804000000536	CHECK VALVE
53	8804000000553	UNLOADING TUBE
54	8804000000554	PIPE
56	8804000000540	SHAFT SEAL
64	8804000000541	DRAIN COCK
68	8804000000555	PLUG